

Hill 90P

Podiatry Chair




Hill Laboratories
COMPANY

REFERENCE MANUAL

Congratulations!

And welcome to the Hill Laboratories family

Hill Laboratories Company has been making

quality a family business since 1945.

Your Hill Podiatry Chair is built in a tradition of

innovation and value that Hill Laboratories products

have become known for.

Our good name rests on the confidence that

your Hill Chair will provide you with solid, reliable service

for many years to come.

At Your Service

The Hill Laboratories Guarantee

Your Hill Laboratories Podiatry Chair has been thoroughly tested and inspected before shipment. All parts are guaranteed against defect in materials for one full year from date of purchase. During this period, any such defect will be remedied by Hill Laboratories or by a factory-authorized repair service without charge.

Tables damaged by mishandling or accident will be repaired at a reasonable charge.

All correspondence should be directed to your local dealer, or when this is not possible, to Hill Laboratories directly.

We appreciate your business and your confidence in our product. Our aim is to provide you with excellent service and satisfaction for many years to come.

Howard A. Hill

President of Hill Laboratories Company

Table Serial Number _____

Ready for use.

Your Hill Podiatry comes ready to plug into any 115 outlet.

Adjustable Headpiece

Adjusts in height 8"
Adjusts in length 12"

Contour Upholstery

For style and added patient comfort

Fold-Down Armrests

Fold back out of the way when seating the patient

Adjustable Height Base

Positions the patient at just the right height

Electric Foot Pedals

Adjust the height, tilt and recline

Curtain

Adjusts in height

Flexible Arm Lamp

Standard with 110 outlet in base.
Removable when not in use

Adjustable Foot Section

Can be locked at any angle down to 85°
Also extends out 12" for taller patients

Deep Adjustable Pan

Slides out from under foot section and adjusts in angle

Auto-Return Switch

Automatically repositions the chair for the next patient



Specifications

Table Rating

500 lbs./Static Tested at 8x Rating/Rated at 250 lbs.*

Height Range - 24"-37"

Standard Width - 24"

Length Reclined - 71", Extends to 79"

Table Base Skirting

Acrylic thermo-plastic

Foam

Ultra-Cell® for comfort and shape retention

Shipping Weight

Approximately 250 lbs

Electric Requirements

115 v~, 60 Hz., 12 A (single motor), 10 A (2 motor), where specified - 230 v~, 50 Hz.

Receptacles in base - 115 v~, 250 Watt maximum

Note: Grounding reliability can only be achieved when the equipment is connected to an equivalent receptacle marked hospital only or hospital grade. There is no EMI concern related to the safe operation of this table.

Transportation and Storage Conditions

Ambient Temperature Range:

-30°C to +60°C (-22°F to 140°F)

Relative Humidity

0% to 90% (non-condensing)

*We have tested this model at 600 pounds. The UL standard requires static load testing at four times the rating stated on the label. The static load test was 1000 lbs. making the label rating 250 lbs.

Table Care

Cleaning Your Table

Your Hill Table comes upholstered in a highly durable vinyl material. Its appearance is guarded by Prefixx™ brand protective finish. Your upholstery may be cleaned with the Hill Laboratories Vinyl Cleaner or any non-abrasive household detergent without change to surface luster. Stubborn stains can be cleaned with most common solvent cleaners such as naphtha (lighter fluid), rubbing alcohol (IPA type), toluene, Coleman gas, turpentine (paint thinner), and nail polish remover (50/50 mixture of acetone and water) with no change to surface luster or color. One hundred percent acetone can also be used for short periods but it is suggested that it first be tested on an inconspicuous area of the table.

Caution: These solvents are highly flammable; exercise proper care when cleaning with these materials and do not use near open flame or intense heat. Wear rubber gloves during all cleaning activities. When cleaning other parts of your table (besides upholstery) use only nonabrasive household detergents and water.

Cautions and Symbol Explanation

Caution: Be sure to unplug your table before performing any maintenance on the table.

Caution: The table should be checked once a year to make sure all internal and external bolts are secure.

Caution: The table should be in its lowest height position when not attended.

Caution: In case of power outage, the table will rely on the generator back-up of the facility where the table is installed for powering the table to its lowest position.

Caution: The power cord shall be located to avoid objects being rolled over or placed on top of it and also to avoid people tripping over it. Damaged cords should be replaced with another of hospital grade.

Caution: Grounding reliability can only be achieved when the equipment is connected to an equivalent receptacle marked hospital only or hospital grade.

Special Caution:

To avoid injury or damage to the chair, NEVER SIT OR LEAN ON THE FOOT SECTION WHEN IT IS RAISED TO THE HORIZONTAL POSITION. The foot section is designed to support a seated patient's feet and lower legs only. To prevent any problem from occurring, adjust the foot section down before a patient exits the chair.



Symbols: - Each of the symbols below are used on your Hill model labeling. An explanation of each is below.



Attention Symbol
consult accompanying
documents



**Dangerous Voltage
Symbol**



**Type BF Applied
Part Symbol**



**Ground
Symbol**

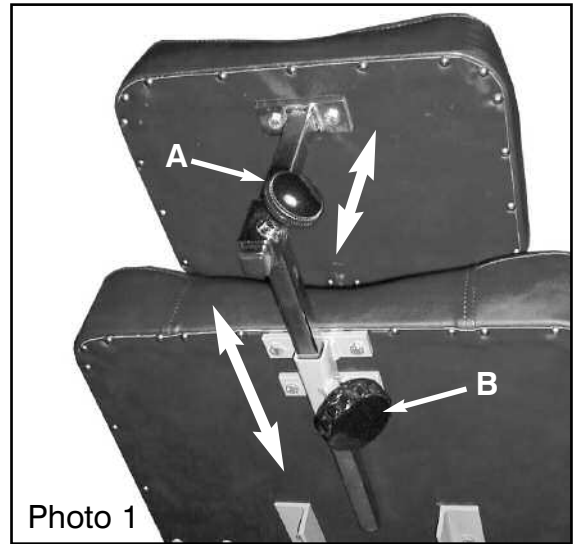


**Alternating Current
Symbol**

Table Features

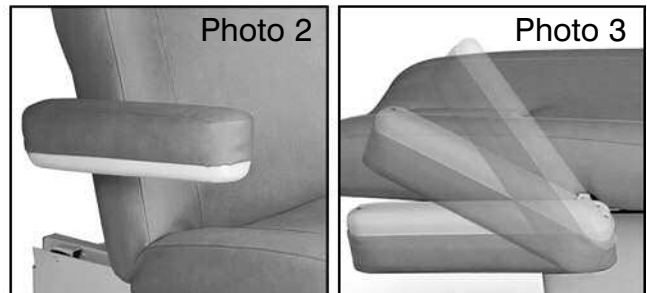
Adjustable Headpiece

The adjusting headpiece can be moved in both the forward-backward direction and up-down. To adjust the forward position of the headpiece, loosen the black knob directly behind the head cushion ("A", photo 1) and adjust the cushion position. Then, retighten the knob. Repeat the same procedure for the up and down adjustment ("B", Photo 1). Rated at 20 pounds and tested with 160 pounds.



Fold-Down Armrests

When the fold-down armrests are positioned in the normal position (as shown in Photo 2), they can be easily folded back by simply lifting from the bottom until the armrests are parallel with the back seat cushion as shown in Photo 3. Rated at 10 pounds and tested with 80 pounds.



Auto-Return Feature

The Auto-Return feature safely and conveniently returns the table to starting position by pressing the Auto-Return button on the right side of the foot pedal control panel (see Photo 4).

IMPORTANT: Safety switches are located so that the automatic return motion will stop immediately should any object or person touch the cover of the base during the auto-return process.

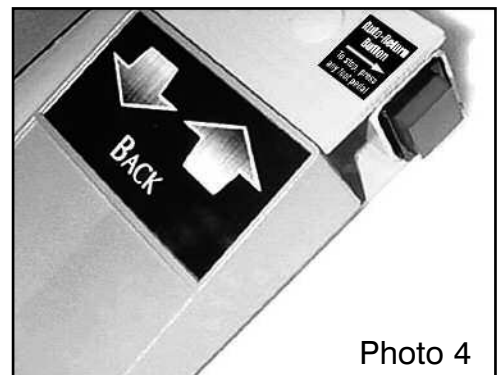
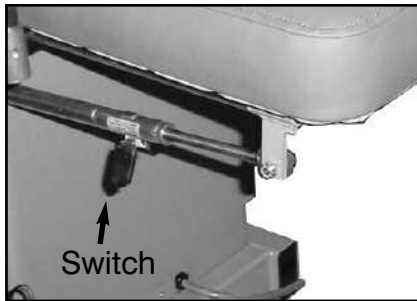


Table Features

Stainless Steel Pan

A stainless steel slide-out tray is positioned by simply pulling the tray frame forward to the desired position. The tray itself is fully removable for easy cleaning.



Fold-Down Foot Section

The angle of the Fold-Down Foot Section is controlled by a manual switch located under the left side as you face the end of the chair (see photo). Press and hold the switch to freely adjust the angle of the cushion. Release to lock the cushion in place.

Stirrups

Optional stirrups are located on both sides of the main seat cushion. Their length can be adjusted by loosening the black knob (A, photo 7), pulling the stirrup out to the desired position, and then tightening the knob again. When not in use, the black foot section folds down and under the cushion (photo 8).

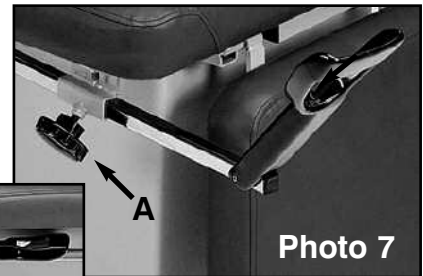


Photo 7

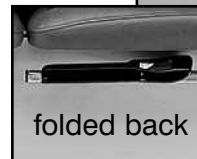


Photo 8

Foot Pedals

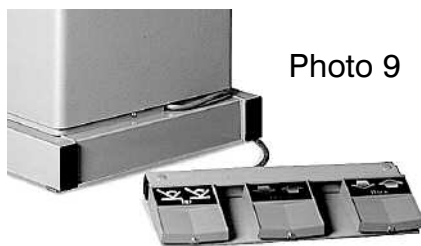


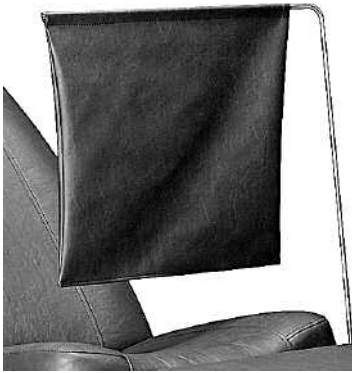
Photo 9

Up to three foot pedals mounted together on one control. The far left pedal, marked **Back**, controls the angle of the back cushion. The middle-left pedal, labeled **Tilt**, controls the tilt angle of the seat cushion (Caution: The lift back cushion needs to be tilted up a minimum of 15° to tilt the table into the trendelenburg position. To avoid injury or damage, the lift back should not be operated without the flat plastic panel in place on top of the plastic enclosure.) The middle-right pedal, marked **Height**, controls table elevation of the chair.

Table Features

Gooseneck Lamp with Receptacle

To use the optional Gooseneck Lamp, insert the post into the mounted receiver and tightened the knob, turning clockwise. The lamp plugs into the 120 Volt, 5 amp. rated receptacle located at the head-end of the chair, in the center of the table frame. Be careful to position the lamp wire so that it does not interfere with free movement around the chair.



Curtain

The curtain installs into a receiver on the side of the seat cushion. The curtain height is adjustable and locks in place by turning the locking knob on the receiver.

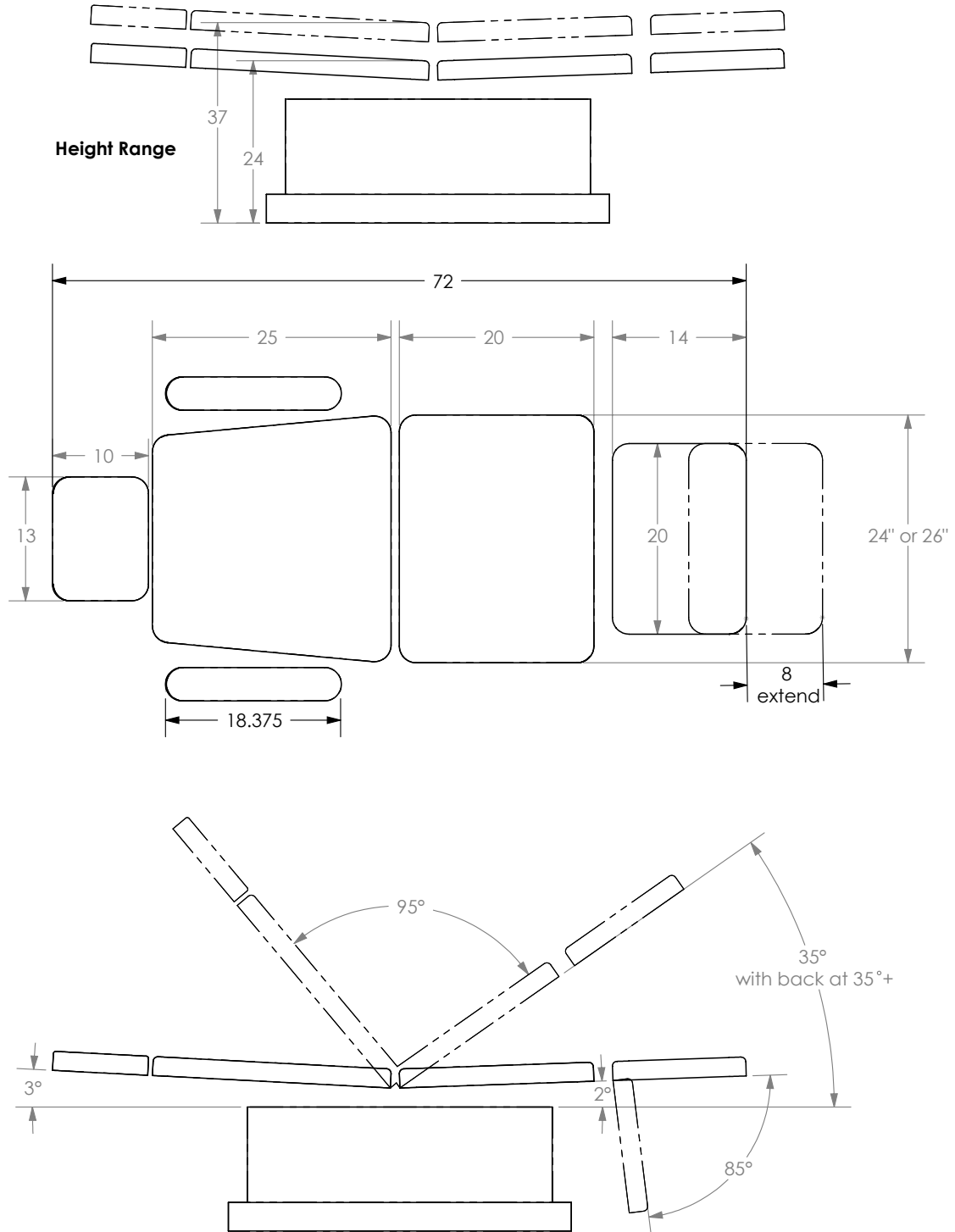
Leveling Feet

The HA90P is equipped with leveling feet under each corner of the chair's base. The leveling feet can be adjusted in height individually by turning the bolt directly above the foot with a wrench—clockwise for lower height; counter-clockwise for higher.



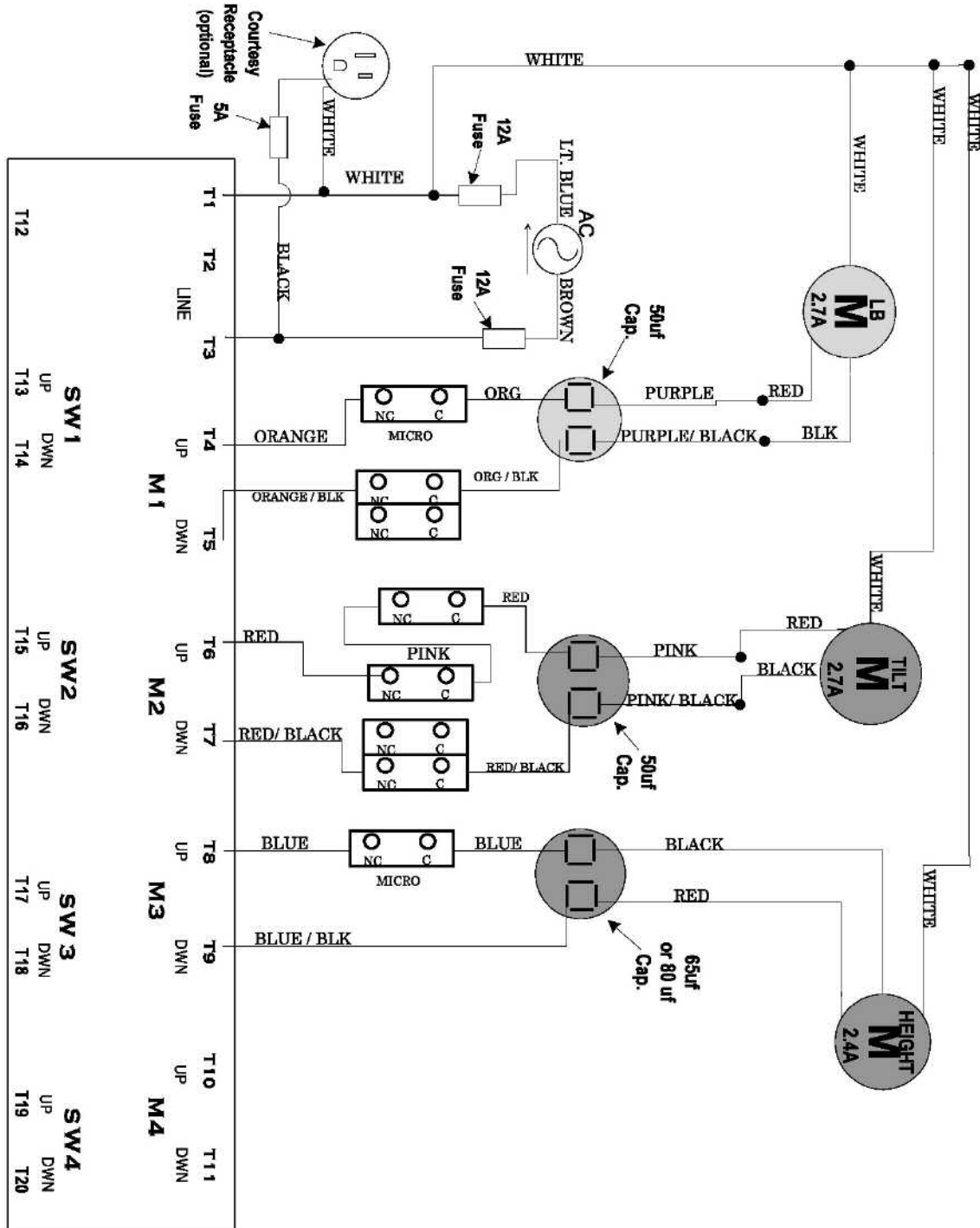
Diagrams

PODIATRY - Dimensions



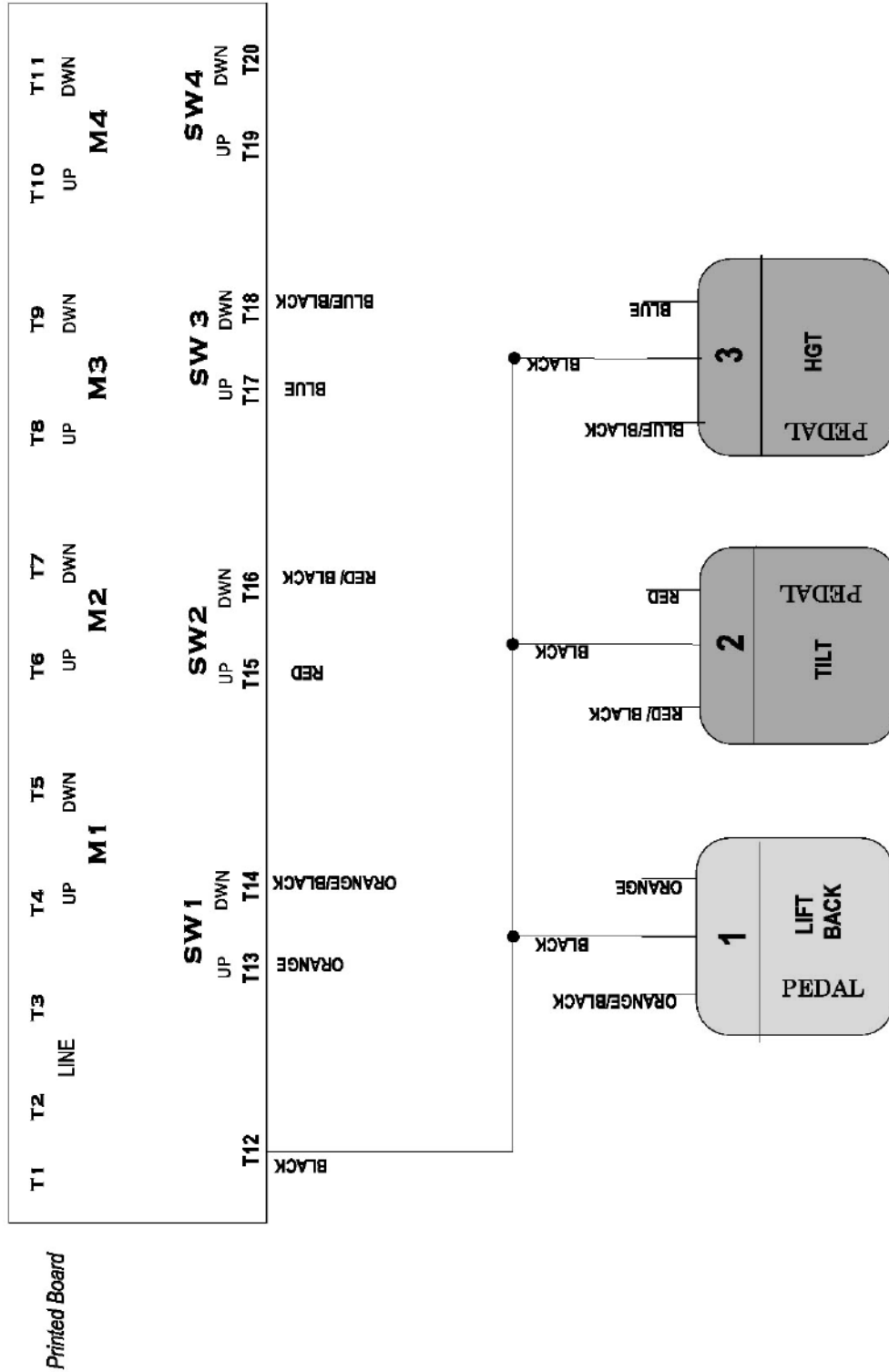
Wiring Diagrams

No Auto-Return Configuration, Part 1



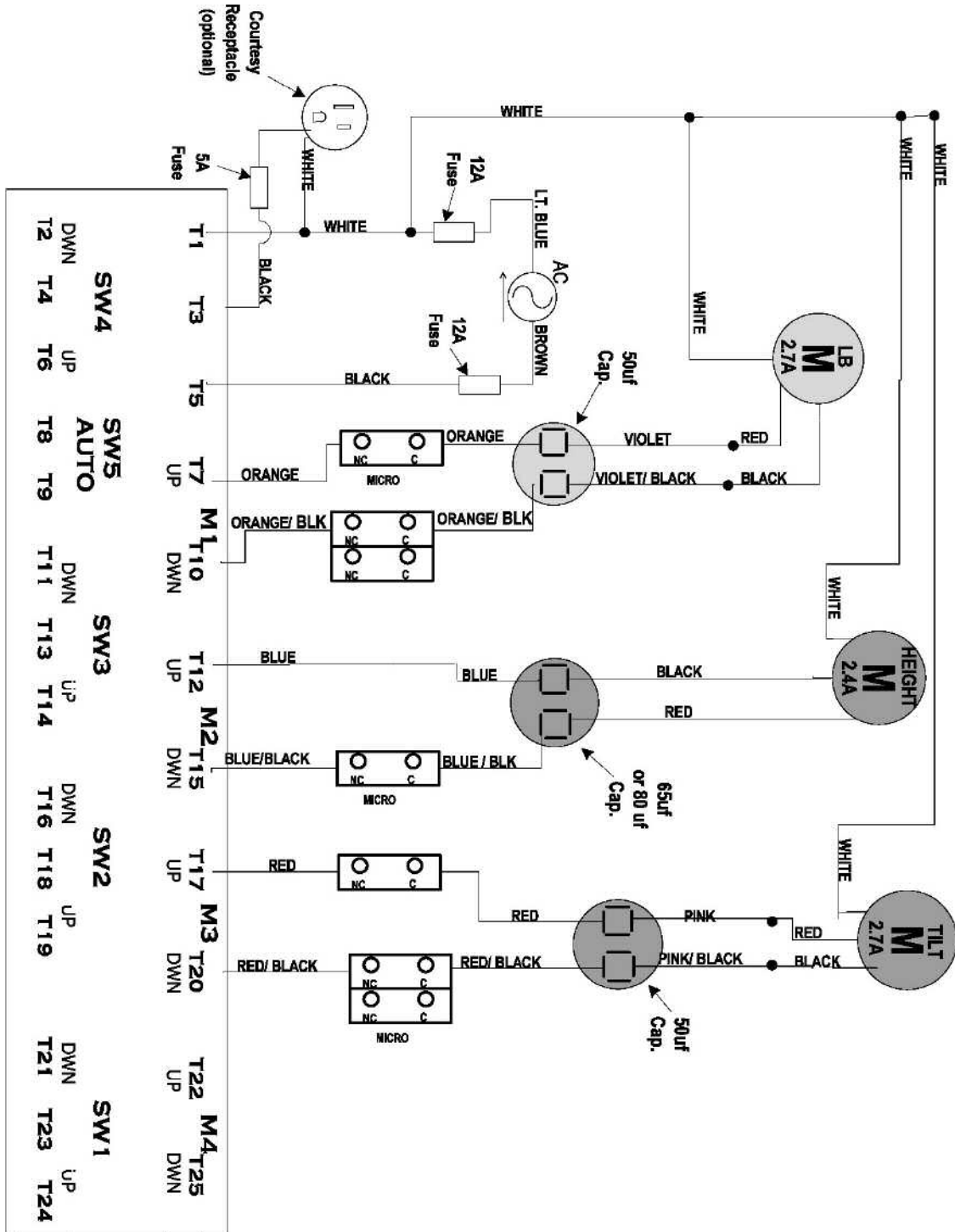
Wiring Diagrams

No Auto-Return Configuration, Part 2



Wiring Diagrams

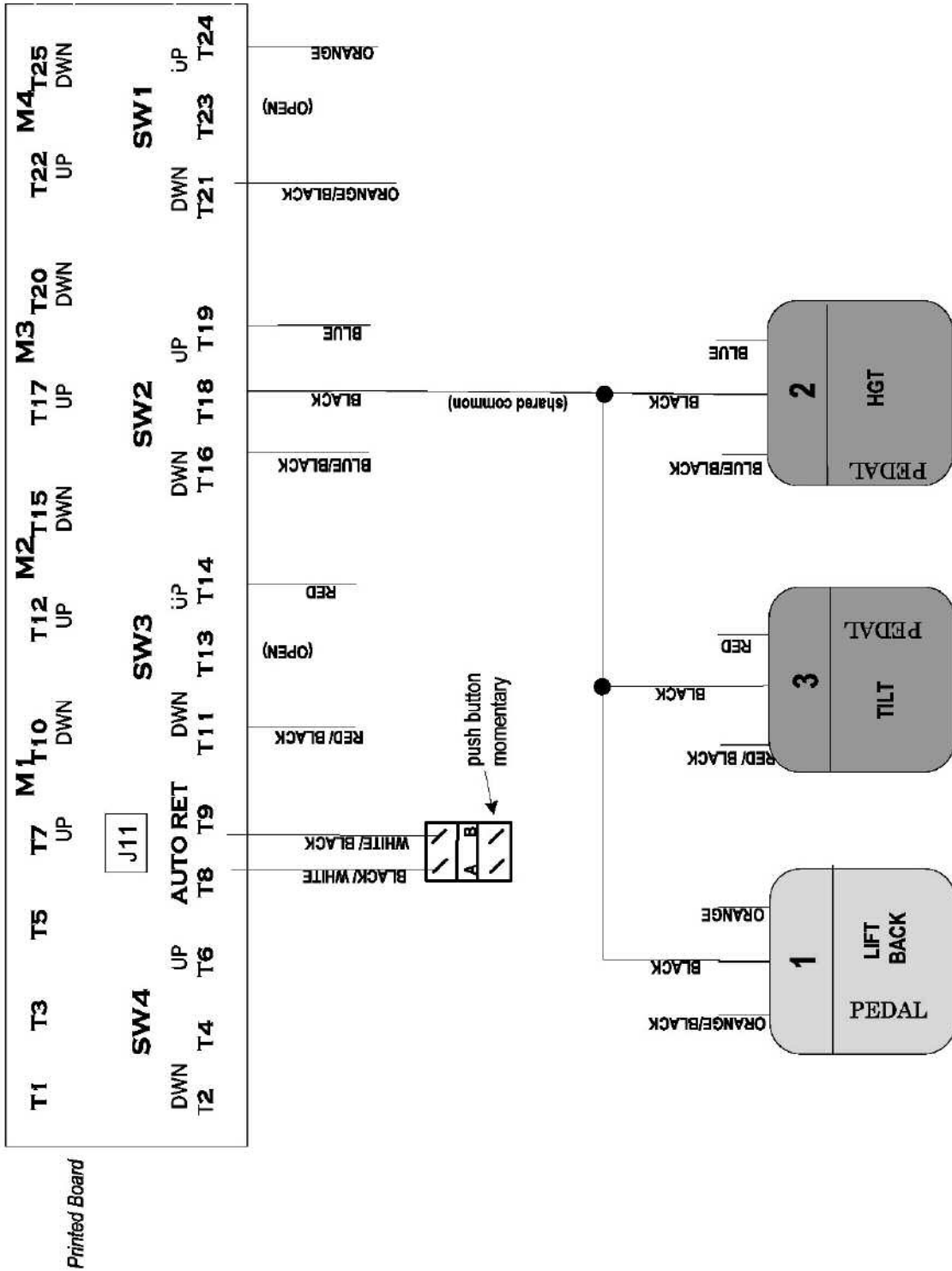
Auto-Return Configuration, Part 1



Wiring Diagrams

Auto-Return Configuration, Part 2

NOTE: Join all pedal commons (black) in pedal assembly.



Tables Manufactured by Hill Laboratories



Anatomotor
Massage w/Traction



90C



Air90C



Air-Flex
w/4 Drops



Hi-Lo



HA90



HA90 Lift Back



Mat Table



PT Mobilization



Rath Mechanical
McKenzie Technique



Repex Table
McKenzie Technique



PT Tilting



HA90E



90MD



90D Dermatology
Chair



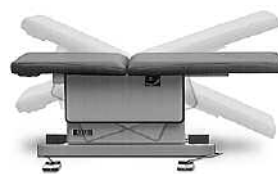
90W Wound Care Chair



Podiatry Model



Counterstrain
(multi-positional)



HA90V Tilt
Vascular/Diagnostic



Posture Angel™
Active Rehab System



P.O. Box 2028, 3 Bacton Hill Road, Frazer, PA 19355 • phone 1-877-445-5020 • 610-644-2867 • fax 610-647-6297 • www.hilllabs.com