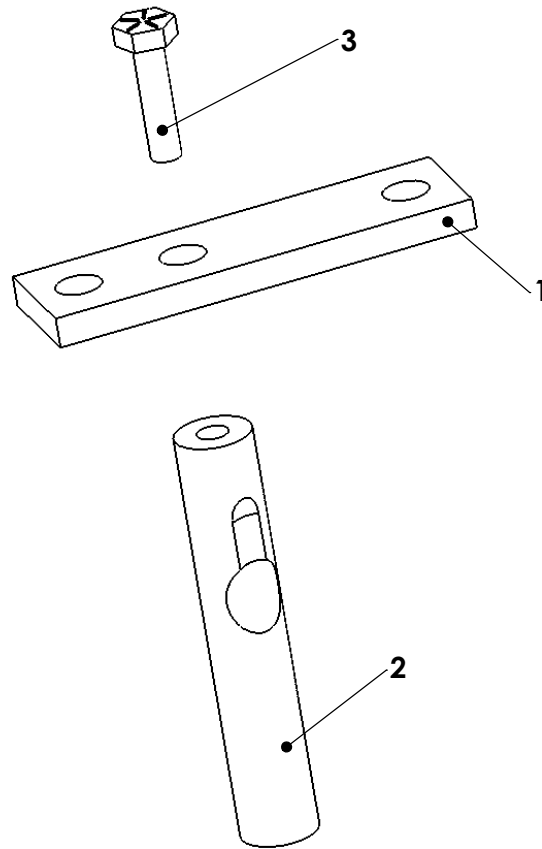


# DELUXE AIR FLEX- Drop Pin Assembly for Thoracic/ Lumbar Drop

ITEM NO.	PART NUMBER	qty
1	962	1
2	H3507 FR 11-70 Drop Rod, thor&lumb, Air Flex	1
3	H3508 Screw, hex hd, GR 8, .3125-18 x 1	1



**PROPRIETARY AND CONFIDENTIAL**

THE INFORMATION CONTAINED IN THIS DRAWING IS THE SOLE PROPERTY OF HILL LABORATORIES COMPANY. ANY REPRODUCTION IN PART OR AS A WHOLE WITHOUT THE WRITTEN PERMISSION OF HILL LABORATORIES IS PROHIBITED.

	NAME	DATE
DRAWN	B Rickards	11/30/04

**HILL LABORATORIES**

3 Bacton Hill Rd., P.O.Box 2028  
 Frazer, PA 19355  
 Ph.(610)644-2867 Fx.(610)647-6297