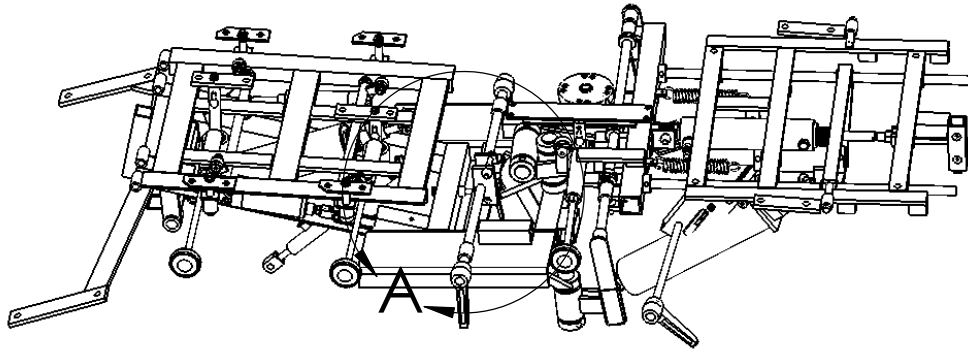
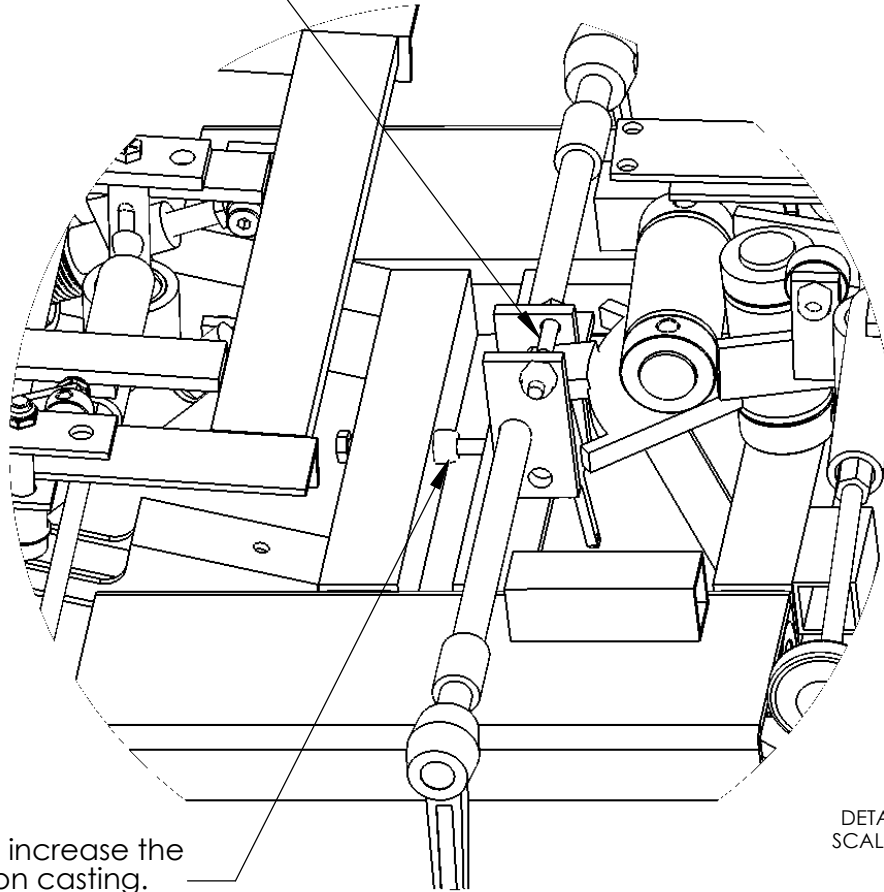


AIR FLEX - Lateral Lock Adjustment



Tightening this bolt will reduce the space between the plates which reduces the play in the locking lever.
Be sure the lever is not bound so that it cannot move.



DETAIL A
SCALE 1 : 3

Use two 1/2" wrenches to tighten this bolt to increase the pressure of the lock lever against the rotation casting. This will assure that the teeth are fully engaged.

PROPRIETARY AND CONFIDENTIAL

THE INFORMATION CONTAINED IN THIS DRAWING IS THE SOLE PROPERTY OF HILL LABORATORIES COMPANY. ANY REPRODUCTION IN PART OR AS A WHOLE WITHOUT THE WRITTEN PERMISSION OF HILL LABORATORIES IS PROHIBITED.

DRAWN

NAME

B Rickards

DATE

12/15/04

HILL LABORATORIES

3 Bacton Hill Rd., P.O.Box 2028
Frazer, PA 19355
Ph.(610)644-2867 Fx.(610)647-6297

SHEET 1 OF 1