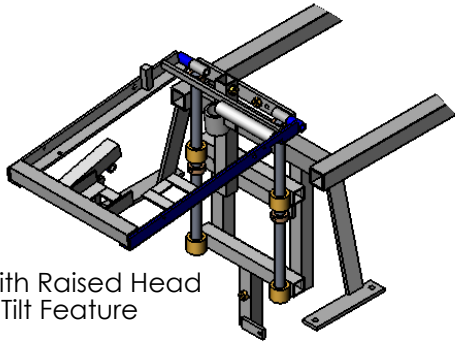
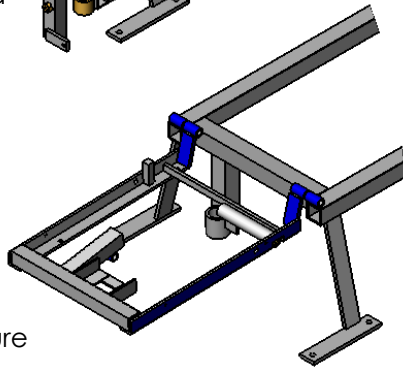


Dual Drop Head Assemblies - The difference between Raised Head and Tilt Head

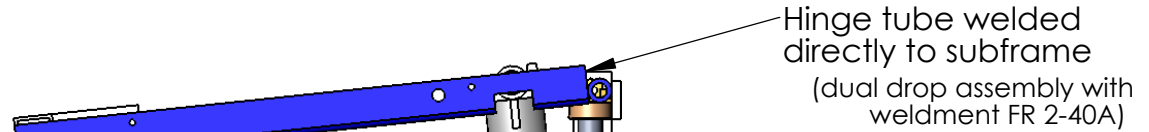
If the customer has a dual drop head piece and is ordering a retrofit raised head feature they will still need a new dual drop assembly because the location of the hinge is different on the dual drop subframe that goes on a raised head .



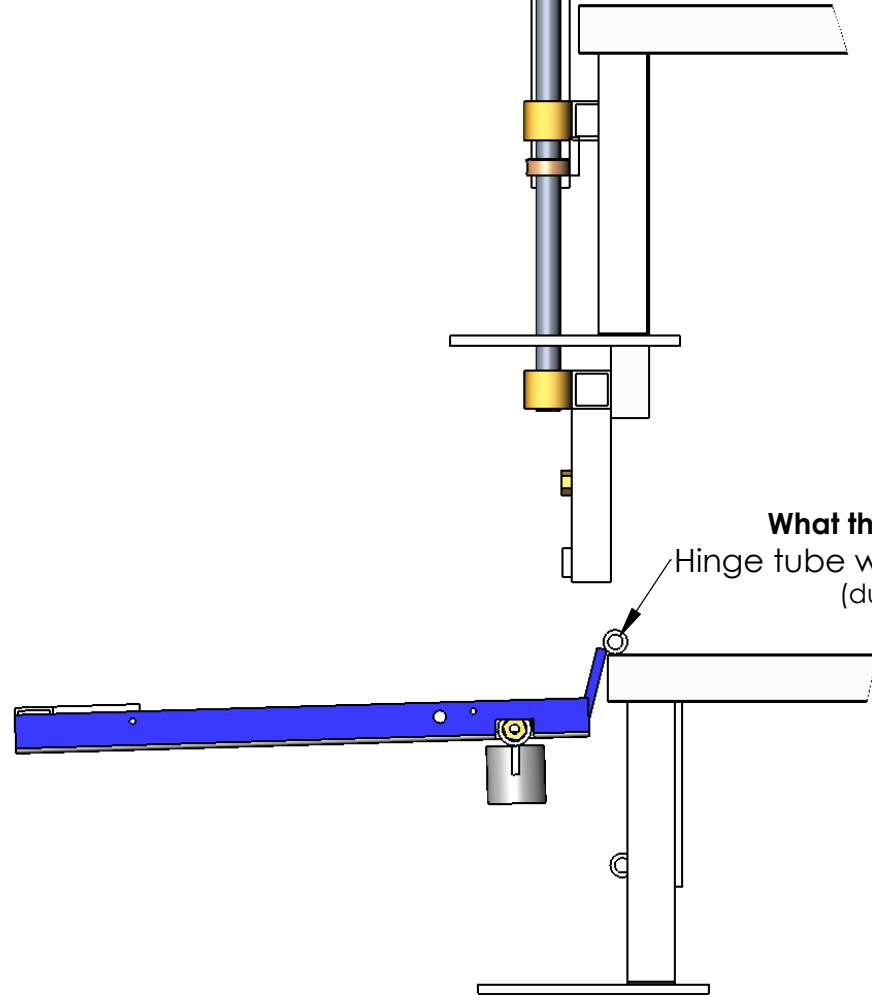
With Raised Head & Tilt Feature



With Tilt Feature



What they need-
Hinge tube welded directly to subframe
(dual drop assembly with weldment FR 2-40A)



What they have-
Hinge tube welded to extension
(dual drop assembly with weldment FR 2-40E)

PROPRIETARY AND CONFIDENTIAL

THE INFORMATION CONTAINED IN THIS DRAWING IS THE SOLE PROPERTY OF HILL LABORATORIES COMPANY. ANY REPRODUCTION IN PART OR AS A WHOLE WITHOUT THE WRITTEN PERMISSION OF HILL LABORATORIES IS PROHIBITED.

DATE 2/15/05

HILL LABORATORIES

3 Bacton Hill Rd., P.O.Box 2028
Frazer, PA 19355
Ph.(610)644-2867 Fx.(610)647-6297