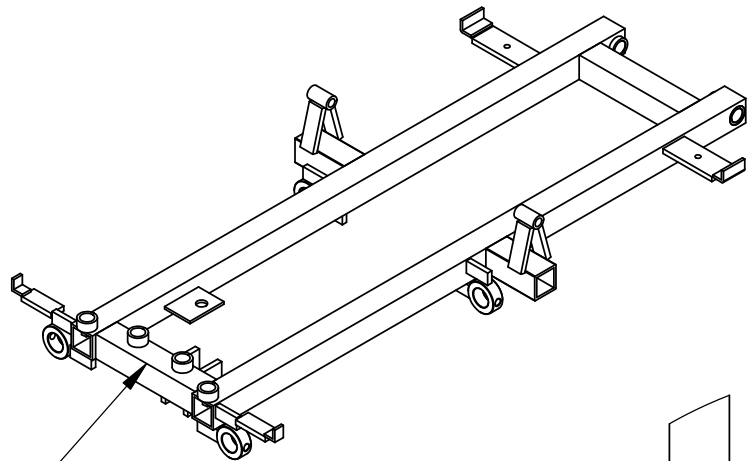


WOUND CARE- Adding Holes for Luxo Lamp Holders

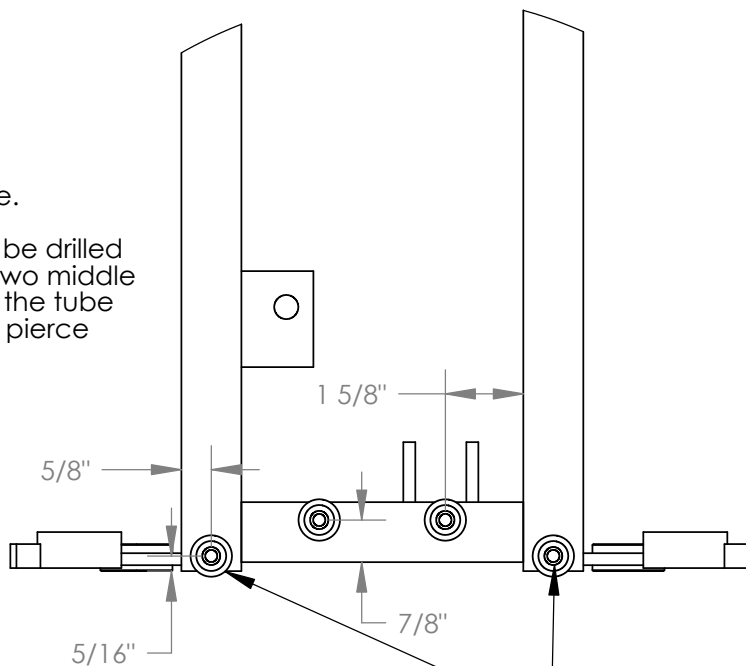
The four holes pictured represent both the right & left hand mounting positions for the Luxo lamp holder.

- PARTS:**
1. round spacers, part #596 (4)
 2. 1/4-20 nuts (4)
 3. lamp holder (1 or 2)
 4. screws, 1/4-20 x 2" (2)
 5. screws, 1/4-20 x 3" (2)



Remove the flat plastic cover over the foot end of your table to expose this area of your frame.

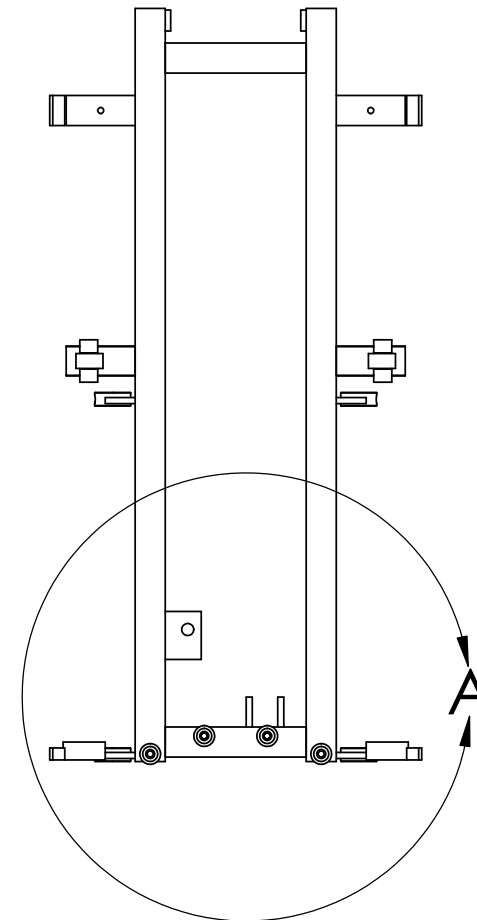
Four quantity 5/16 holes need to be drilled in your frame from the top. The two middle holes will go completely through the tube but the outer two holes will only pierce the top surface.



DETAIL A
SCALE 1 : 4

This hole can be drilled on each side and a lamp holder can be located in it with a mounting screw to locate the second hole.

TOP VIEW



PROPRIETARY AND CONFIDENTIAL

THE INFORMATION CONTAINED IN THIS DRAWING IS THE SOLE PROPERTY OF HILL LABORATORIES COMPANY. ANY REPRODUCTION IN PART OR AS A WHOLE WITHOUT THE WRITTEN PERMISSION OF HILL LABORATORIES IS PROHIBITED.

DIMENSIONS ARE IN INCHES
TOLERANCES:
FRACTIONAL: +/- 1/32
ANGULAR: MACH +/- 1 BEND ±
TWO PLACE DECIMAL +/- .03
THREE PLACE DECIMAL +/- .031

	NAME	DATE
DRAWN	B Rickards	9/22/04
CHECKED		
ENG APPR.		

HILL LABORATORIES

3 Bacton Hill Rd., P.O.Box 2028
Frazer, PA 19355
Ph.(610)644-2867 Fx.(610)647-6297

COMMENTS:

DO NOT SCALE DRAWING

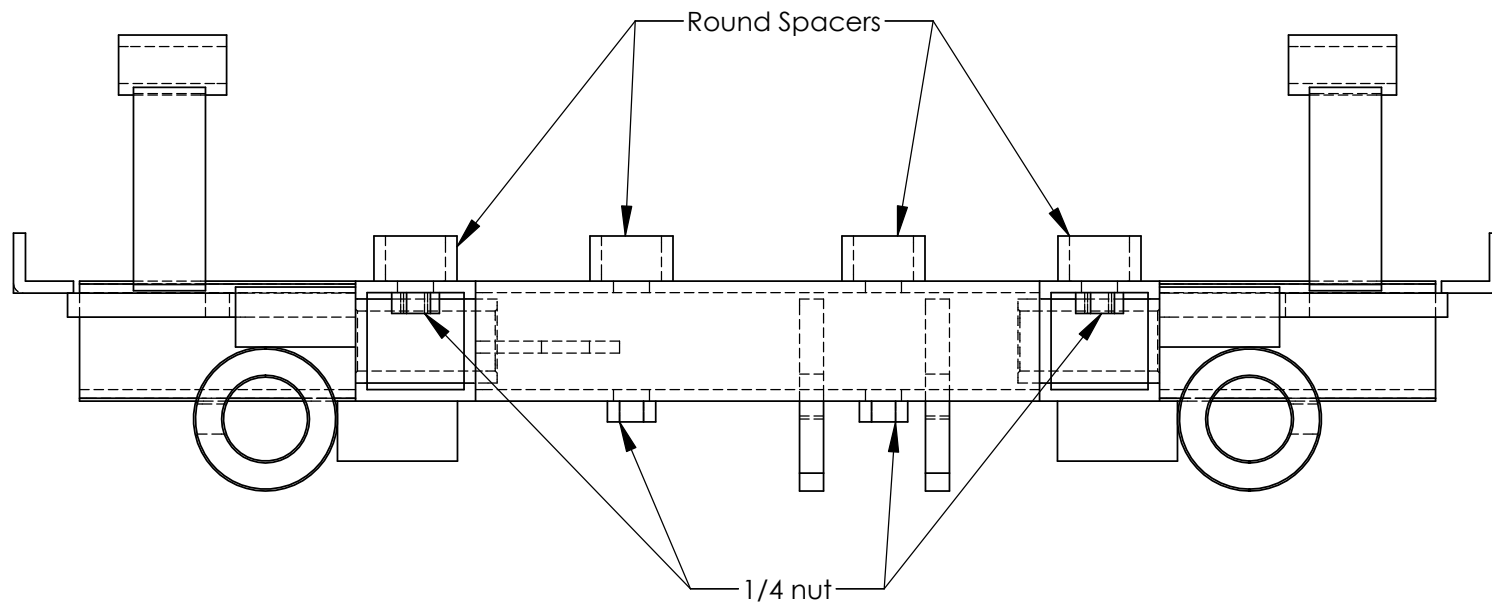
SCALE:1:8

SIZE **A**

SHEET 1 OF 2

Adding Holes for Luxo Lamp Holders

REVISIONS		
REV.	DESCRIPTION	DATE



View from foot end.

PROPRIETARY AND CONFIDENTIAL

THE INFORMATION CONTAINED IN THIS DRAWING IS THE SOLE PROPERTY OF HILL LABORATORIES COMPANY. ANY REPRODUCTION IN PART OR AS A WHOLE WITHOUT THE WRITTEN PERMISSION OF HILL LABORATORIES IS PROHIBITED.

DIMENSIONS ARE IN INCHES
 TOLERANCES:
 FRACTIONAL: +/- 1/32
 ANGULAR: MACH +/-1 BEND ±
 TWO PLACE DECIMAL +/- .03
 THREE PLACE DECIMAL +/- .031

	NAME	DATE
DRAWN	B Rickards	
CHECKED		
ENG APPR.		

HILL LABORATORIES

3 Bacton Hill Rd., P.O.Box 2028
 Frazer, PA 19355
 Ph.(610)644-2867 Fx.(610)647-6297

COMMENTS:

DO NOT SCALE DRAWING