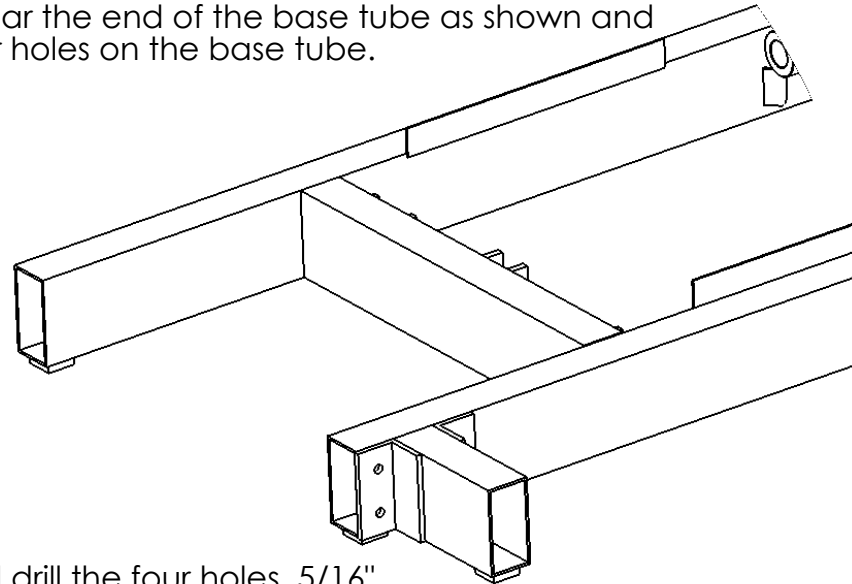
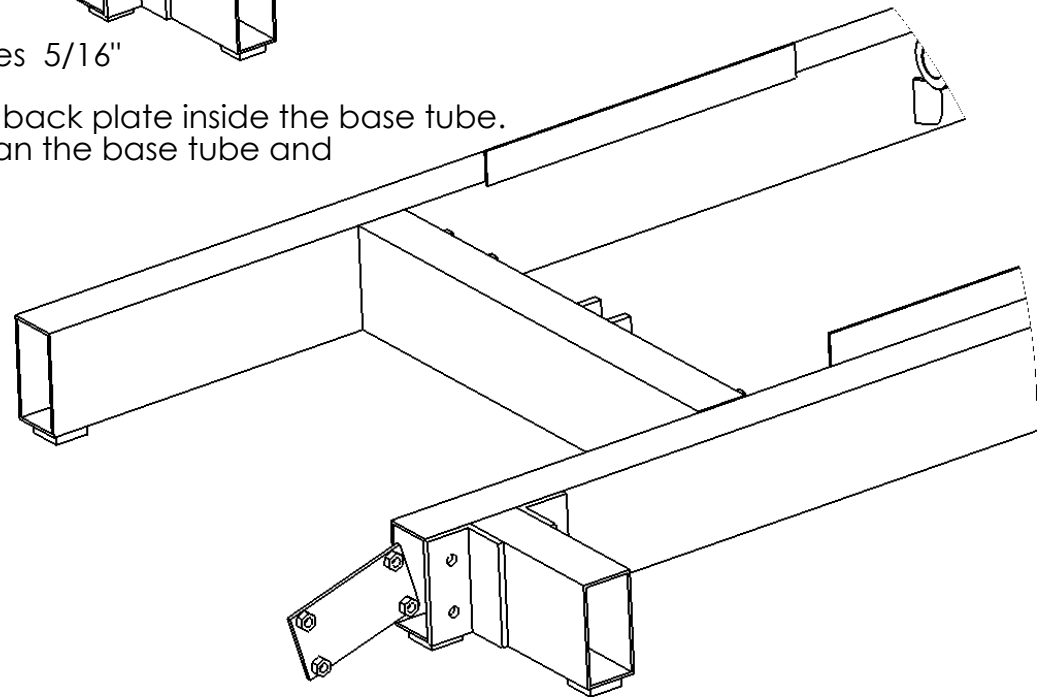


Adding Bolt-on Width Extensions to a Base

1. Remove the black plastic end cap from the end of the base tube.
2. Hold the new bolt-on extension near the end of the base tube as shown and mark the center of the four holes on the base tube.



3. Lay the width extension aside and drill the four holes $5/16"$
4. Position the leg extension as shown and locate the back plate inside the base tube. Insert the four screws through the extension leg, then the base tube and finally thread the screws into the back plate.



PARTS LIST:

1. **FR 1-23 and FR 1-24**
2 qty each for echo window table
or
4 qty for wide table
2. **1/4-20 x 1" hex hd screws**
8 or 16 qty

PROPRIETARY AND CONFIDENTIAL

THE INFORMATION CONTAINED IN THIS DRAWING IS THE SOLE PROPERTY OF HILL LABORATORIES COMPANY. ANY REPRODUCTION IN PART OR AS A WHOLE WITHOUT THE WRITTEN PERMISSION OF HILL LABORATORIES IS PROHIBITED.

DRAWN

NAME

B Rickards

DATE

11/30/04

HILL LABORATORIES

3 Bacton Hill Rd., P.O.Box 2028
Frazer, PA 19355
Ph.(610)644-2867 Fx.(610)647-6297

SHEET 1 OF 1